



COURIER™ 3000

Shipping Scales



User-Friendly Basic Low-Profile Scales for General Shipping and Veterinary Applications

The Courier 3000 Series shipping scales' intuitive, user-friendly interfaces, bright displays, and low-profile steel construction ensure durability and reliability from offices to warehouses to even veterinary offices (the Courier 3000 is effective for weighing small animals). Versatile and effective.

Unique Features:

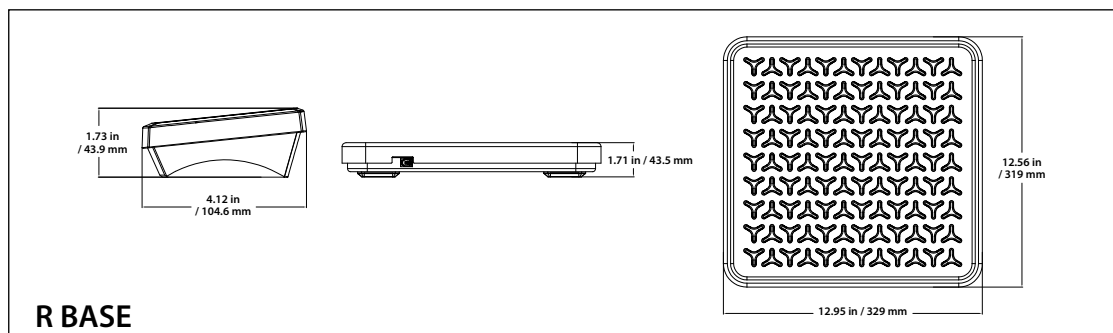
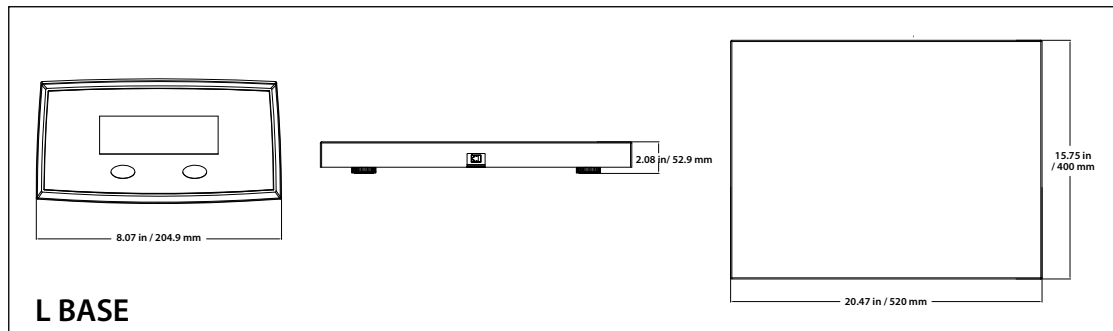
- Ideal for general shipping jobs or veterinary applications. Low-profile design with 1.5 mm thick painted steel platform to last rigorous daily use. Coiled cable ensures flexible display mounting.
- The Courier 3000's Display Hold mode (for use with large boxes and packages) retains weight on the large 1.1 in / 28 mm high backlight display, until cleared.
- AC adapter power included, and disposable battery power (not included) for portable use.

COURIER™ 3000 Shipping Scales

Specifications

Model	i-C31M35R	i-C31M75R	i-C31M200R	i-C31M75L	i-C31M200L
Capacity × Default Readability	70 lb x 0.05 lb 35 kg x 0.02 kg	150 lb x 0.1 lb 75 kg x 0.05 kg	400 lb x 0.2 lb 200 kg x 0.1 kg	150 lb x 0.1 lb 75 kg x 0.05 kg	400 lb x 0.2 lb 200 kg x 0.1 kg
Maximum Displayed Resolution	1:1,750	1:1,500	1:2,000	1:1,500	1:2,000
Weighing Units	kg, lb				
Application Mode	Weighing, Display Hold				
Display	1.1 in / 28 mm digit height, 4-digit, 7-segment LCD with white backlight				
Keyboard	2 mechanical function keys				
Construction	ABS Plastic Indicator Housing Painted steel base with rubber feet - L models with smooth platform and adjustable feet, R models with raised, embossed tread				
Cable Length	6.6 ft / 2 m (full extension)				
Stabilization Time	1 second				
Power	Dry cell battery :3 x AA (LR6) Batteries (not included) or AC Power adapter: 100-240VAC ~ 0.5A 50/60Hz; Power output: 5.0 VDC 1.0 A Battery life: 100 hours continuous use with backlight off				
Operating Temperature Range	14 °F to 104 °F / -10 °C to 40 °C				
Safe Overload Capacity	150% of capacity				
Platform Dimensions (L x W x H)	13.0 x 12.6 x 1.7 in / 329 x 319 x 43.5 mm			20.5 x 15.7 x 2.1 in / 520 x 400 x 52.9 mm	
Net Weight	6.0 lb / 2.7 kg			17.6 lb / 8 kg	
Shipping Weight	7.5 lb / 3.4 kg			19.8 lb / 9 kg	
Shipping Dimensions	15.6 x 15.2 x 6.1 in / 395 x 385 x 155 mm			23.6 x 19.1 x 3.9 in / 600 x 485 x 100 mm	

Outline Dimensions



Compliance

- **Product Safety:** IEC/EN 61010-1; UL certified power supply
- **Electromagnetic Compatibility:** FCC Part 15 Class A; Canada ICES-003 Class A; IEC/EN 61326-1 Class B, basic environments
- **Compliance Marks:** CE
- **Other:** WEEE, RoHS

Accessories

Coiled Extension Cable 9m i-C52 i-C31 30809920

80776841_A 20230329 © Copyright OHAUS Corporation

OHAUS CORPORATION

Tel: 800.672.7722

973.377.9000

Fax: 973.944.7177

www.ohaus.com

The management system governing the manufacture of this product is ISO 9001:2015 certified.

